

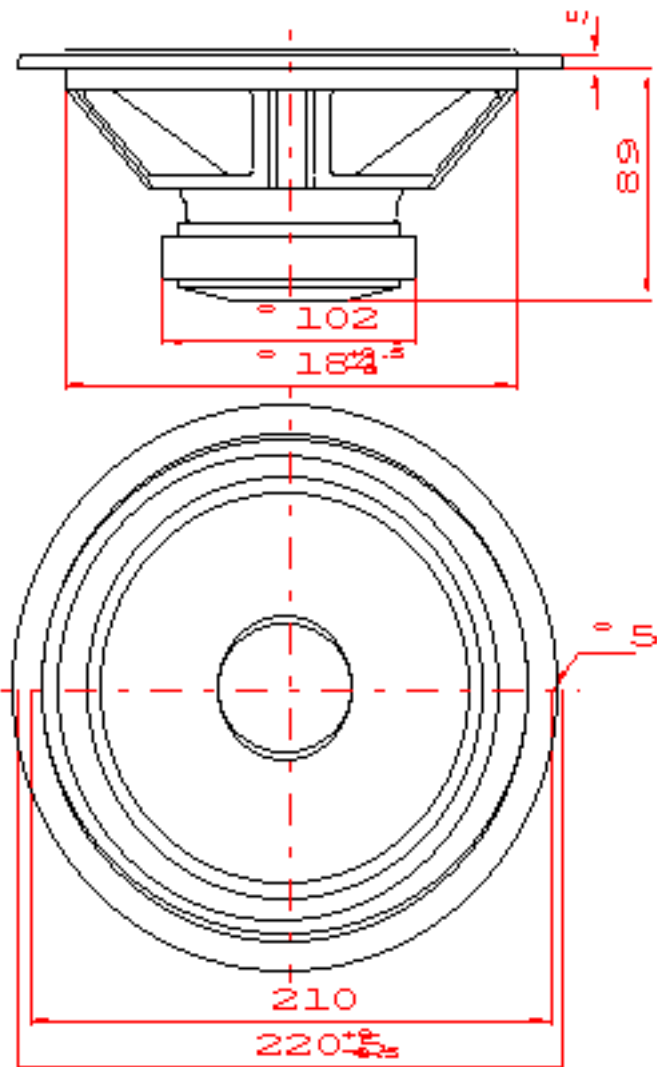


# Peerless Data Sheet

## 220 WR

220 WR 33 102 PPX AL 8 ohm - Order ID: 831709

8" subwoofer with extra thick well damped cone providing a superb deep bass performance. A low resonance makes it ideal for use in closed and reflex boxes - both 2- and 3-way.



**220 WR**Thiele Small parameters:

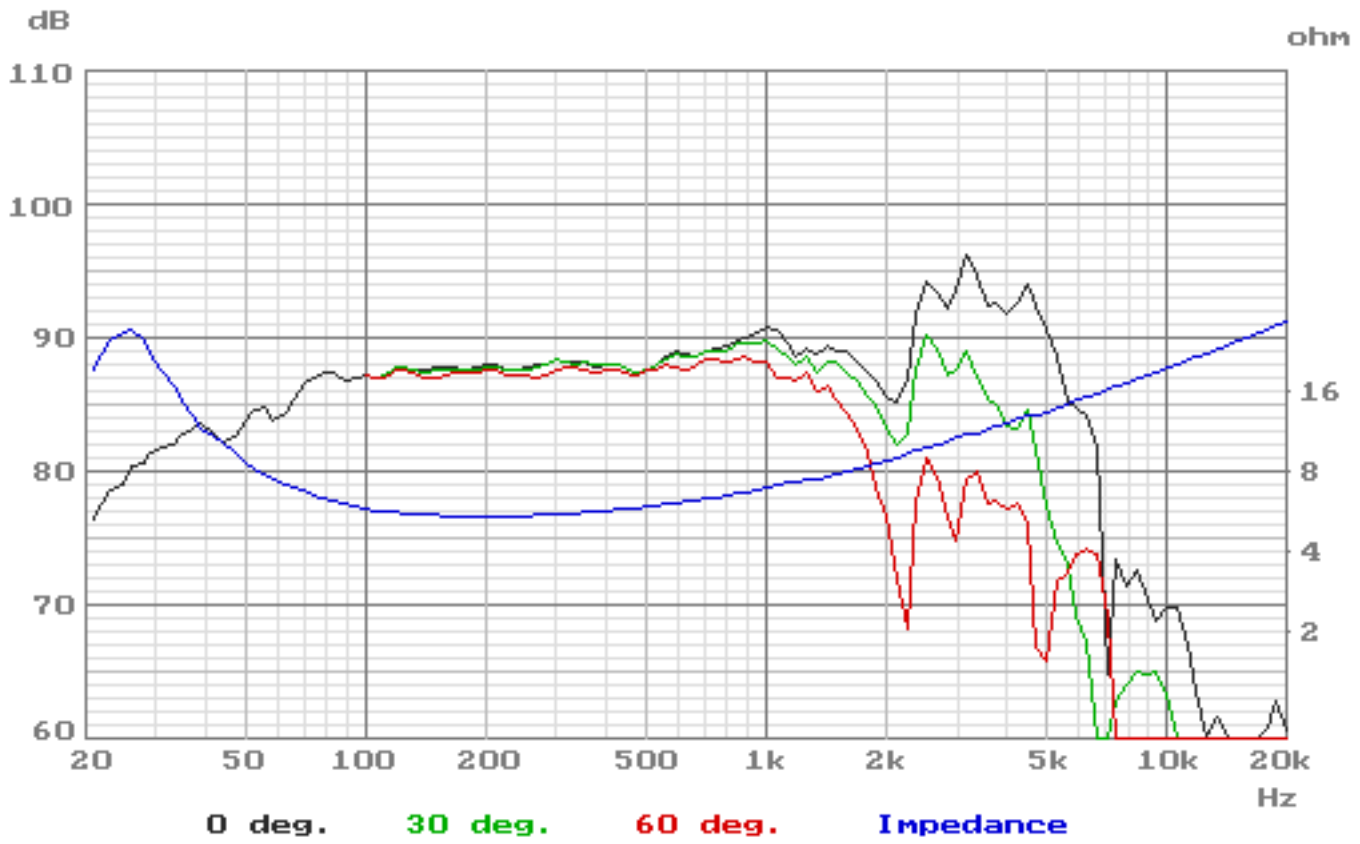
		Free air	Common	Baffled
Nominal impedance	Zn (ohm)		8	
Minimum impedance/at freq.	Zmin (ohm/Hz)		5.4/173	
Maximum impedance	Zo (ohm)		29.3	
DC resistance	Re (ohm)		5.0	
Voice coil inductance	Le (mH)		1.2	
Capacitor in series with 8 ohm (for impedance compensation)	Cc (µF)		6	
Resonance Frequency	fs (Hz)	25.0		24.3
Mechanical Q factor	Qms	2.65		2.72
Electrical Q factor	Qes	0.54		0.56
Total Q factor	Qts	0.45		0.46
F (Ratio fs/Qts)	F (Hz)			52
Mechanical resistance	Rms (Kg/s)		1.98	
Moving mass	Mms (g)	33.4		35.4
Suspension compliance	Cms (mm/N)		1.21	
Effective cone diameter	D (cm)		16.9	
Effective piston area	Sd (cm <sup>2</sup> )		225	
Equivalent volume	VAS (ltrs)		86.9	
Force factor	Bl (N/A)		6.9	
Reference voltage sensitivity Re 2.83V 1m at 173 Hz (Measured)	(dB)			86.9

Magnet and voice coil parameters:

Voice coil diameter	d (mm)	33		
Voice coil length	h (mm)	17		
Voice coil layers	n	2		
Flux density in gap	B (T)	1.13		
Total useful flux	(mWb)	1.03		
Height of the gap	hg (mm)	6		
Diameter of magnet	dm (mm)	102		
Height of magnet	hm (mm)	16		
Weight of magnet	(kg)	0.54		

Power handling:

Long term Max System Power (IEC)	(W)	150		
Max linear SPL (rms) / by power	(dB/W)	107/105		



Measuring methods and conditions are stated in Peerless Standard for Acoustic Measurements (PSAM)